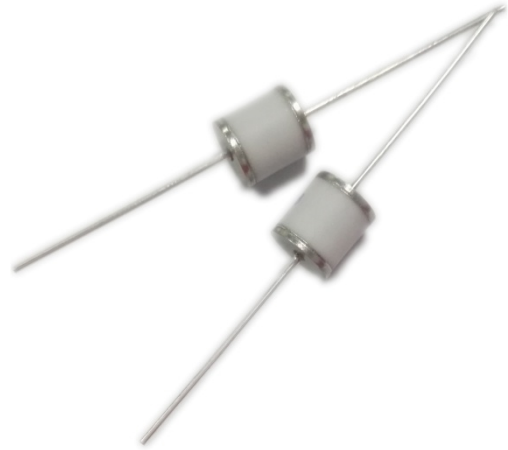


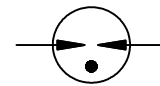
Description

2R-8 Gas Discharge Tubes (GDT) series provides high levels of protection against fast rising transients caused by lightning disturbances. Offered in a miniature surface mount package, it has a surge rating of /3KA 8/20μs.

2R-8 GDTs are high voltage (4000-6000V) components designed for surge protection and high isolation applications. It is also suitable for applications for which bias voltage or signal levels of several hundred volts are normally present. 2R-8 GDTs can be used in conjunction with MOVs (Metal Oxide Varistors) to provide superior protection performance for AC applications.



Electrical symbol



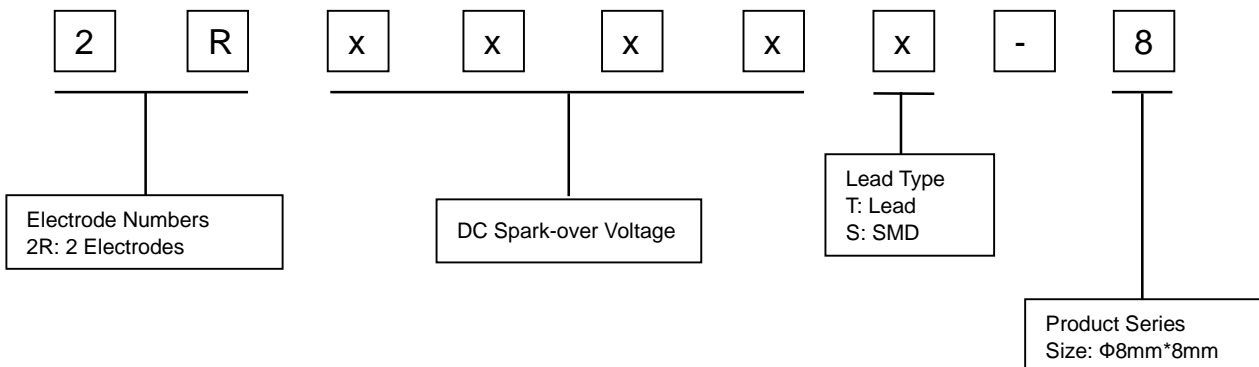
Features

- I Voltage Ranges 4000V to 6000V
- I Excellent response to fast rising transients
- I 8/20μs Impulse current capability: 3KA
- I Non-Radioactive
- I Ultra Low capacitance (<1.5pF)
- I Lead-free compliant
- I RoHS and REACH compliant
- I UL 1449 Recognized: E479668
- I Size: Φ8mm*8mm
- I Storage and operational temperature: -40~+90°C

Applications

- | | |
|-----------------------------|--------------------|
| Automotive: | Others: |
| I On-board chargers | I LED lighting |
| I Vehicle charging stations | I Power supply |
| | I Photovoltaic |
| | I Air conditioning |

Part Number Code



Electrical Characteristics

Part Number	DC Spark-over Voltage ¹⁾²⁾ @100V/S	Impulse Spark-over Voltage		Insulation Resistance ³⁾	Capacitance @1MHz	Glow Voltage @10mA	Arc Voltage @1A	AC withstand voltage @5mA 1Min	Life Ratings		
		100V/μS	1KV/μS						Impulse Discharge Current @8/20μS		AC Discharge Current @50Hz 1S
		Max	Max						Min	Max	Type
		V	V	V	GΩ	pF	V	V	V	KA	KA
2R4000T-8	4000±20%	5000	5500	1	1.5	270	35	2000	3	5	3
2R4500T-8	4500±20%	5500	6000	1	1.5	270	35	2250	3	5	3
2R5000T-8	5000±20%	5900	6400	1	1.5	270	35	2500	3	5	3
2R6000T-8	6000±20%	7300	7800	1	1.5	270	35	3000	3	5	3

Glow to Arc transition Current..... ~0.5A

Weight..... ~1.8g

Operation and storage temperature..... -40~+90°C

Climatic category (IEC 60068-1)..... 40/90/21

Marking, black.....
xxxx X
 xxxx -Nominal voltage
 X -Year of production

Surface treatment..... DIP -Nickel Plated

¹⁾ At delivery AQL 0.65 level II, DIN ISO 2859.

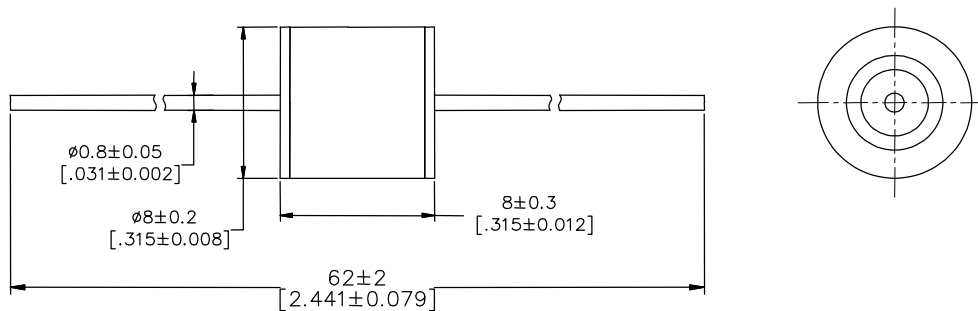
²⁾ In ionized mode.

³⁾ Insulation Resistance Measuring Voltage at DC 100V.

Terms in accordance with ITU-T Rec. K.12, IEC 61643-311, GB/T 9043.

Dimensions (Unit: mm/inch)

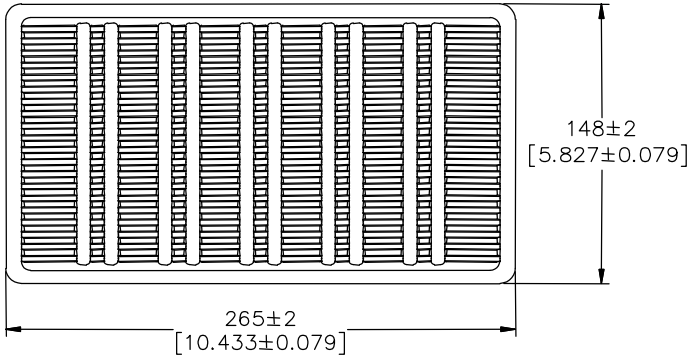
DIP Series (2RxxxxT-8)



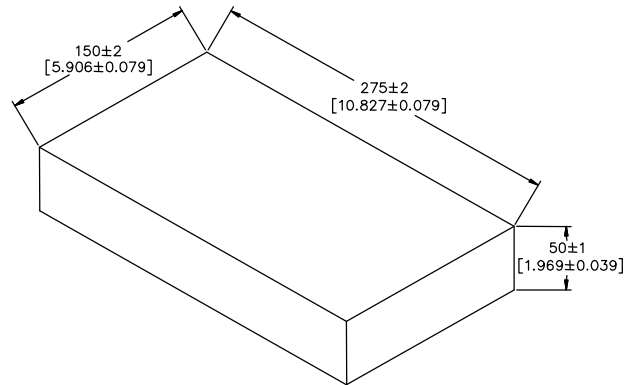
Packaging Information (Unit: mm/inch)

Axial Packaging (Bulk)

Plastic Tray



Inner box



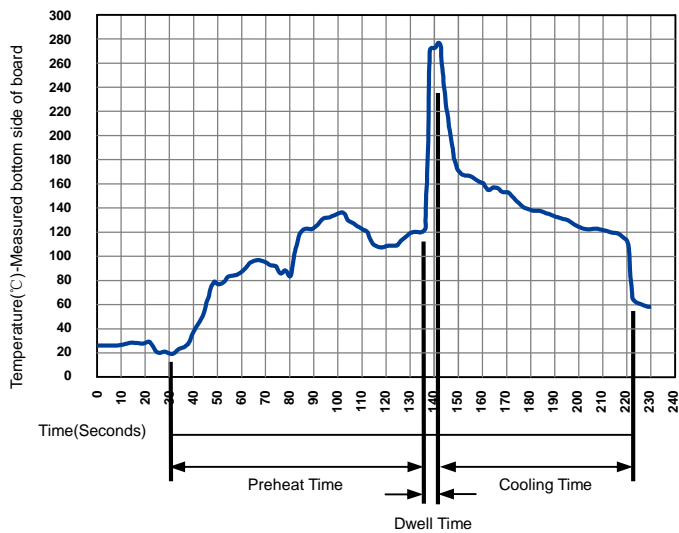
Packaging Quantity:

100 PCS per Plastic Tray

5 Plastic Trays per inner box

500 PCS per inner box

Soldering Parameters - Wave soldering (Thru-Hole Devices)



Wave Soldering Condition		Pb-Free assembly
Preheat at	Temperature Min	100°C
	Temperature Max	150°C
	Time (Min to Max)	60-180 Seconds
Solder Pot Temperature		280°C Max
Solder Dwell Time		2-5 Seconds